



# All Weather M3

Outside door - "Push-Pull" Technology



Patented "Push Pull" technology:  
Unique door drive system.

Superior seal, wind resistant:  
Patented side frame assembly.  
Neither blade nor brush systems. Up to wind load class 4.

Crash forgiving and self-reinserting without intervention:  
The curtain automatically reinserts itself when dislodged.  
No repair costs, no production down time.

User safety:  
Flexible curtain without rigid elements. Wireless DYNACO Detector at the bottom for extra safety.

Advanced drive:  
Frequency driven motor and encoder for smooth operation.  
Wearable elements are reduced to a minimum.

Dynalogic control box:  
User-friendly control box with self-diagnosis.

Conform to EN13241-1



The DYNACO All Weather M3 is specifically designed for large sized outside applications with intensive use and subjected to extreme wind loads. It protects your facilities against wind, rain, snow, dirt and extreme temperatures. Operating speed and perfect sealing improve your traffic flows and provide employee comfort, environmental control and savings on energy costs. Fully self-reinserting, the DYNACO All Weather M3 will automatically reinsert itself in its side guides when the curtain is accidentally hit.



# All Weather M3

## EN13241-1 STANDARDS

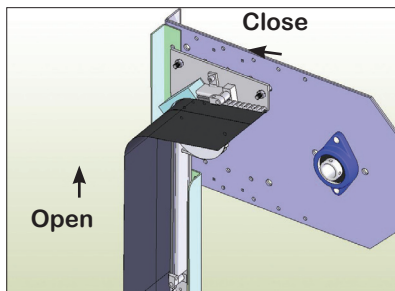
Standard	Ref.	Test acc.	Results
Water permeability	EN 12425	EN 12489	Classe 1
Wind load	EN 12424	EN 12444	Classe 3*
Wind permeability	EN 12426	EN 12427	Classe 1
Safe openings	EN 12453	EN 12445	Pass
Mechanical resistance	EN 12604	EN 12605	Pass
Unintended movements	EN 12604	EN 12605	Pass
Thermal resistance	EN 12428	EN 12428	6,02 W/m²K
Performance (cycles):	EN 12604	EN 12605	750.000

\* The indicated class for wind resistance applies for maximum dimensions. For doors up to W 6.000mm x H 5.500mm: Class 4

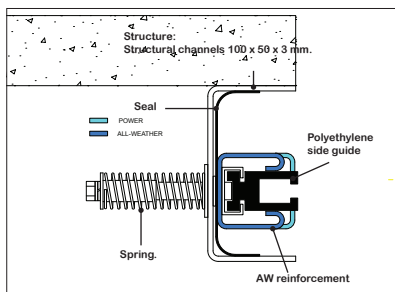
## CHARACTERISTICS

Max. dimensions	W 8.000 mm x H: 5.500 mm	
Opening speed	0,8 m/sec	
Closing speed	0,4 m/sec	
Structure	Galvanised steel (U channels): 100 x 50 x 3 mm.	
Drum	Steel - Ø 140 x 4 mm	
Side guides	Reinforced polyethylene (PE-UHMW 1000) on springs. Side guides reinforced over the total height.	
Motor	4 poles, without brake - power: 1,5 kW. IP rating: IP 65	
Control box	DYNALOGIC provided with: Circuit breaker, general divider, adjustable timer, Push button for opening and reset and emergency stop. IP rating: IP54. Frequency inverter.	
Standard detectors	Infrared barrier: 300 mm from the floor. Wireless DYNACO detector (WDD)	
Power supply	Single phase 230V - 18 A.	
Frequency	Frequency: 50-60 Hz	
Available colours	Yellow RAL1003 Orange RAL2004 Red RAL3000 Blue RAL5002	Green RAL6005 Grey RAL7035 White RAL9010 Black RAL9005

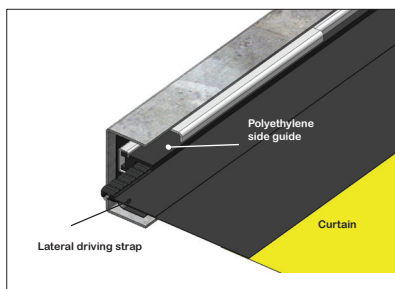
### “PUSH-PULL<sup>PT</sup>” Drive technology



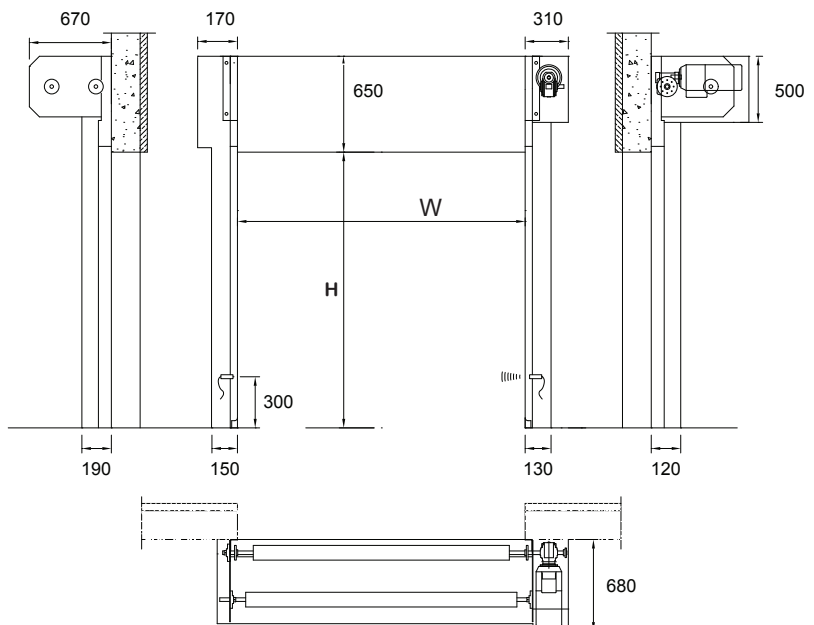
### Side Guide view



### Lateral driving strap view



### Measures All Weather M3



All indicated dimensions are net: the space necessary for mounting and maintenance has to be provided. Remark: drum cover available for doors up to 5900mm wide.

