



Compact M2

Inside door - "Push-Pull" Technology



High speed operation:
Up to 2,4 m/s depending on the size

"Push Pull" technology:
Unique door drive system.

Superior seal:
Patented side frame assembly. Neither blade nor brush systems required.

Crash forgiving and self-reinserting without intervention:
The curtain automatically reinserts itself when dislodged. No repair costs, no production down time.

User safety:
Flexible curtain without rigid elements. Wireless DYNACO Detector at the bottom for extra safety.

Advanced drive:
Frequency driven motor and encoder for smooth operation. Wearable elements are reduced to a minimum.

Dynalogic control box:
User-friendly control box with self-diagnosis.

Conform to EN13241-1



The DYNACO Compact M2 is specifically designed for medium sized inside applications with intensive use.

It protects your environment against drafts, humidity, dust and dirt. Operating speed and perfect sealing properties improve your traffic flows and provide employee comfort, environmental control and savings on energy costs.

The absence of rigid elements in the curtain and its soft bottom edge make the DYNACO Compact M2 intrinsically safe.



DYNACO
HIGH PERFORMANCE DOORS

DYNACO Europe

Waverstraat 21

B-9310 Moorsel-Aalst

Tel +32 53 72 98 90

Fax +32 53 72 98 50

www.dynaco.eu

www.dynacodoor.com

DYNACO. THE SAFEST CHOICE

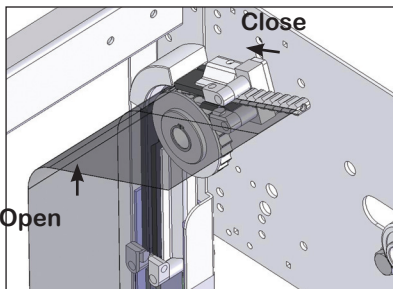
Compact M2

EN13241-1 STANDARDS

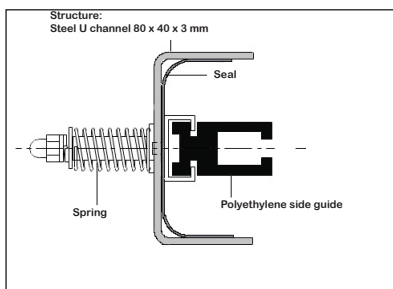
Standard	Ref.	Test acc.	Results
Water permeability	EN 12425	EN 12489	Class 1
Wind load	EN 12424	EN 12444	Class 2*
Wind permeability	EN 12426	EN 12427	Class 1
Safe openings	EN 12453	EN 12445	Pass
Mechanical resistance	EN 12604	EN 12605	Pass
Unintended movements	EN 12604	EN 12605	Pass
Thermal resistance	EN 12428	EN 12428	6,02 W/m ² K
Performance (cycles):	EN 12604	EN 12605	1 000 000

* The indicated class for wind resistance applies for maximum dimensions. For doors up to W 4.500mm x H 5.500mm: Class 3

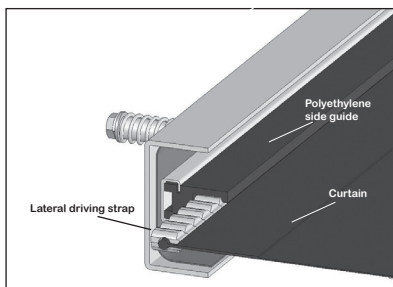
“PUSH-PULL^{PT}” Drive technology



Side Guide view



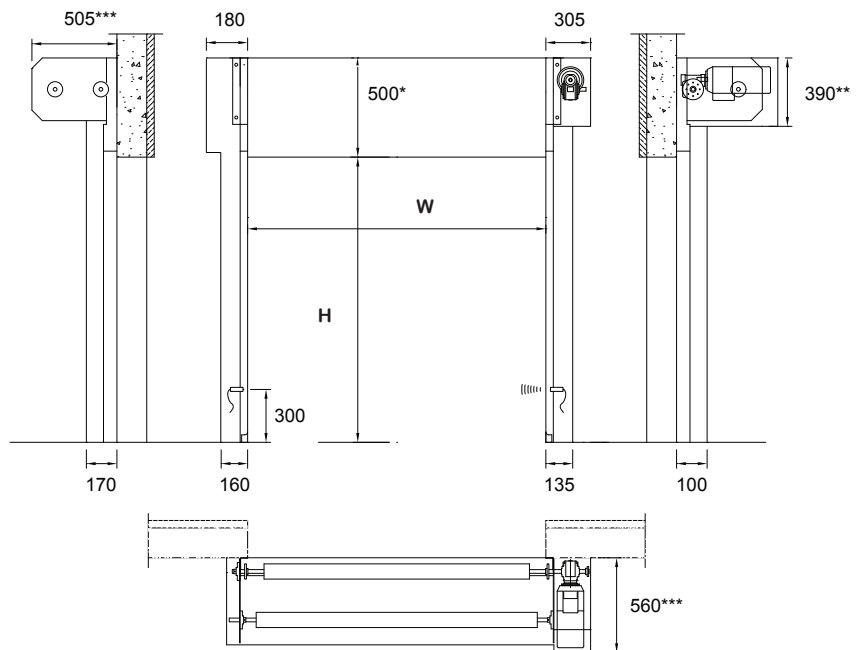
Lateral driving strap view



CHARACTERISTICS

Max. dimensions	W 5.500 mm x H: 5.500 mm	
Opening speed	Up to 2,4 m/s	
Closing speed	1,2 m/s	
Structure	Galvanised steel (U channels): 80 x 40 x 3 mm - Option: stainless steel	
Drum	Steel - Ø 102 x 2 mm.	
Side guides	Reinforced polyethylene (PE-UHMW1000), on springs	
Motor	4 poles, without brake Power: 0,75 kW or 1,5 kW (depending on size and opening speed). IP rating: IP 65.	
Control box	DYNALOGIC provided with: Circuit breaker, general divider, adjustable timer, Push button for opening and reset and emergency stop. IP rating: IP54. Frequency inverter	
Standard detectors	Infrared barrier: 300 mm from the floor - Wireless DYNACO detector (WDD)	
Power supply	Single phase 230V	
Frequency	0,75 kW = 14 A / 1,5 kW = 18 A frequency: 50-60 Hz	
Available colours	Yellow RAL1003 Orange RAL2004 Red RAL3000 Blue RAL5002	Green RAL6005 Grey RAL7035 White RAL9010 Black RAL9005

Measures Compact M2



* 650 if drum hood and H > 4000. Reduced lintel: upon request.

** 600 if drum hood and H > 4000

*** 650 if drum hood and H > 4000

All indicated dimensions are net: the space necessary for mounting and maintenance has to be provided.



PS - V.2.3 - 27/10/2011

DYNACO. THE SAFEST CHOICE